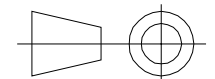
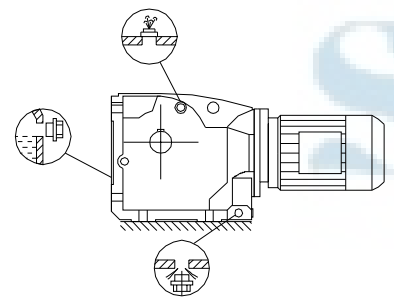



Scale 1: 35



All dimensions in millimeter (mm)



| | | | | | |
|---|------------|----------|--|-------|--------|
|  | | | Date | Scale | Format |
| | | | 01/02/2018 | 1:120 | DIN A4 |
| Gear Type | Motor Type | Mounting | SONG NHAT SERVICE TRADING CO.,LTD | | |
| XDK97 | | M1 | | | |